



# TABLES AND SINKS

SERVING THE FOOD INDUSTRY SINCE 1951

## 10" X 14" X 10" THREE TUB SINK - 3.5" CENTER DRAIN AND 2 DRAIN BOARDS

Item: 43756



### HIGH QUALITY

18-Gauge Stainless Steel  
3 Tub Sink With 16-Gauge  
Galvanized Legs



LIMITED  
**WARRANTY**



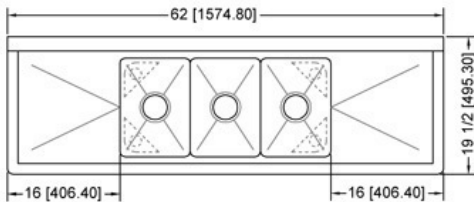
Authorized Dealer

# TABLES AND SINKS

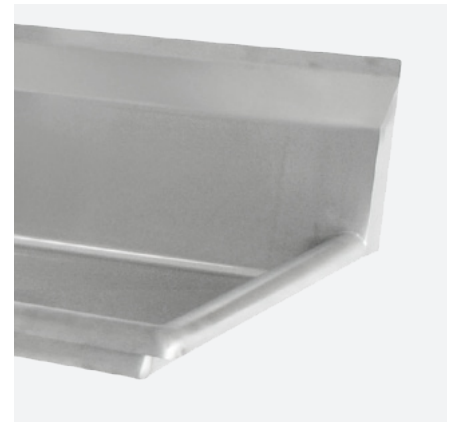
## 10" X 14" X 10" THREE TUB SINK



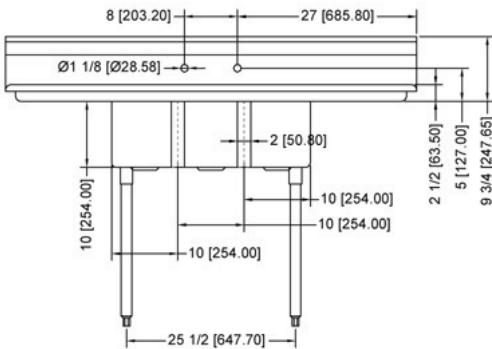
### TECHNICAL DRAWING WITH DIMENSIONS



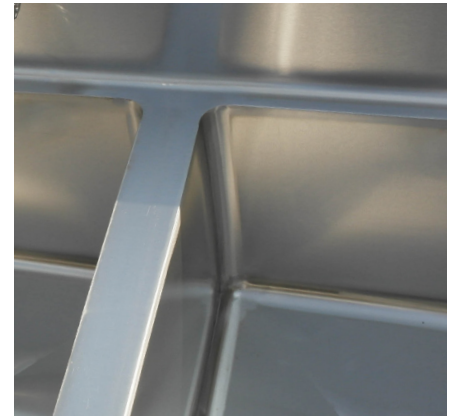
Center Drain



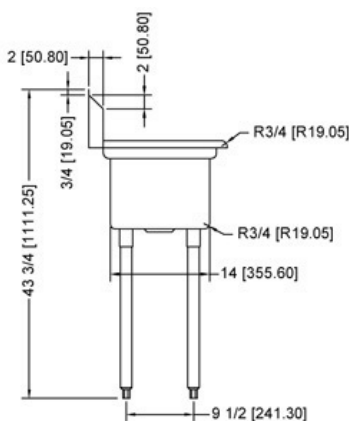
Raised Edges



16-Gauge Galvanized Legs



Rounded corner



### TECHNICAL SPECIFICATIONS

ITEM NUMBER	43756
DESCRIPTION	Three Tub Sink with 2 drain boards and center drain
SINK SIZE	10" x 14" x 10" / 254 x 355.6 x 254 mm
DRAIN SIZE	3.5" / 89 mm
OVERALL DIMENSIONS (WDH)	62" x 19.5" x 43.75" / 1574.8 x 495 x 1111.3 mm
WEIGHT	43.12 lbs / 19.6 kgs



## OMCAN INC.

Telephone: 1-800-465-0234

Fax: (905) 607-0234

Email: sales@omcan.com

Website: www.omcan.com



Follow us to keep up to date with the latest news and offers



2018.E.O.E